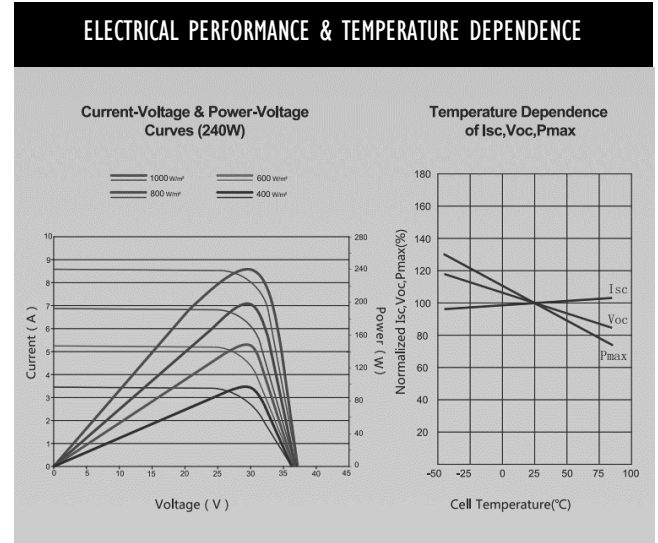
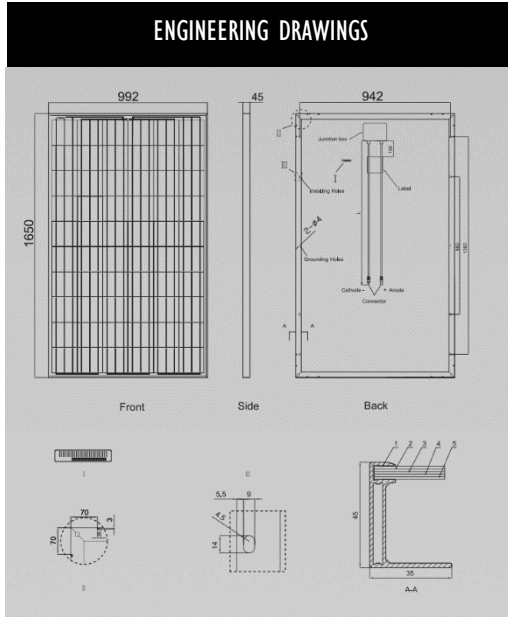


Re-tech PV 235W is a competitively priced renewed PV panel with a 10 year functional warranty.

Re-tech PV panels undergone strict quality control per PV panel and have new tags with complete info/characteristics, and data sheet with technical parameters.



RENEWED PV PANEL

MECHANICAL CHARACTERISTICS

Cell type	Poly-crystalline 156x156mm (6 inch)
No. of cells	60 (6x10)
Dimensions	1650x992x45mm (64.97x39.06x1.77 inch)
Weight	19.0kg (41.9lbs.)
Front glass	3.2mm, High transmission, low iron, tempered glass
Frame	Anodized aluminium alloy
Junction box	IP65 Rated
Output cables	TUV 1X4mm / UL 12AWG, Length: 900mm

SPECIFICATIONS

PV panel type	JKM230P	JKM235P	JKM240P	JKM245P	JKM250P
Maximum power at STC (Pmax) *	230W	235W	240W	245W	250W
Maximum power voltage (Vmp)	29.6V	29.8V	30V	30.2V	30.4V
Maximum power current (Imp)	7.78V	7.89V	8.01A	8.12A	8.23A
Open-circuit voltage (Voc)	36.8V	36.9V	37.2V	37.4V	37.6V
Short-circuit current (Isc)	8.35A	8.47A	8.56A	8.69A	8.81A
Module efficiency (%)	14.05%	14.35%	14.66%	14.97%	15.27%
Operating temperature (°C)	-40°C ~ +85°C				
Maximum system voltage	600V (UL) / 1000V (IEC) DC				
Maximum series fuse rating	15A				
Power tolerance	±3% / -0~+3% (Based on customer requirements and contract terms)				
Temperature coefficients of Pmax	-0.45%/°C				
Temperature coefficients of Voc	-0.027%/°C				
Temperature coefficients of Isc	0.05%/°C				
Nominal operating cell temperature (noct)	45±2°C				

STC: ☀ Irradiance 1000W/m² 🌡 Module temperature 25°C ☁ AM=1.5

* Original power output. Power measurements tolerance: ±3%

Re-tech PV panels are renewed and may have small defects as scratches on frame or surface. The PV panels are tested, coated with the latest Re-tech PV technology and undergone strict quality control per PV panel. The PV panel data sheet info is original from factory, due age and use some deviations from original tech specifications may occur and are not considered a reason for warranty. Re-tech PV reserves the final right for explanations on any of the information presented hereby.